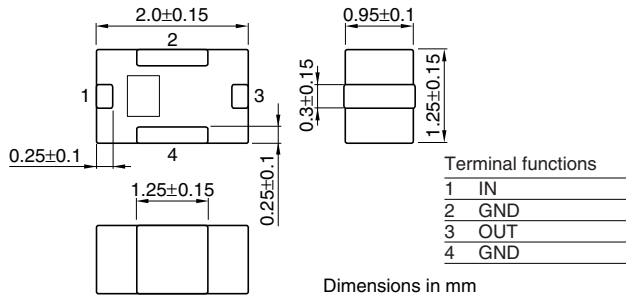


Multilayer Chip Band Pass Filters For WiMAX

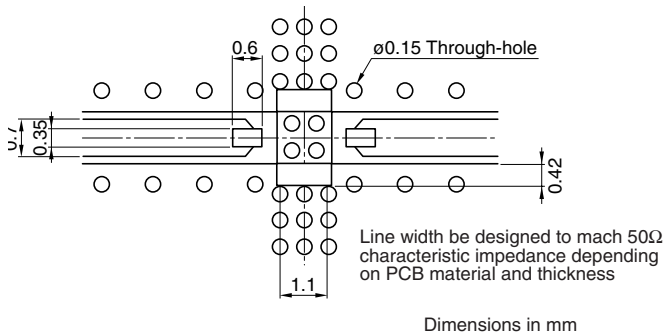
Conformity to RoHS Directive

DEA Series DEA202495BT-1242B2

SHAPES AND DIMENSIONS



RECOMMENDED PC BOARD PATTERNS



ELECTRICAL CHARACTERISTICS

Item			Minimum value	Typical value	Maximum value
Insertion loss	[2300 to 2690MHz]	(dB)	—	—	1.8
Return loss	[2300 to 2690MHz]	(dB)	10	—	—
Attenuation	[100 to 1800MHz]	(dB)	14	—	—
	[3400 to 11700MHz]	(dB)	14	—	—
Temperature range	Operating	(°C)	−40	—	+85
	Storage	(°C)	−40	—	+85

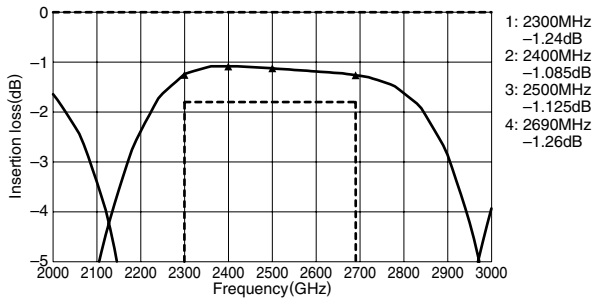
• Ta: +25°C

• Conformity to RoHS Directive: This means that, in conformity with EU Directive 2002/95/EC, lead, cadmium, mercury, hexavalent chromium, and specific bromine-based flame retardants, PBB and PBDE, have not been used, except for exempted applications.

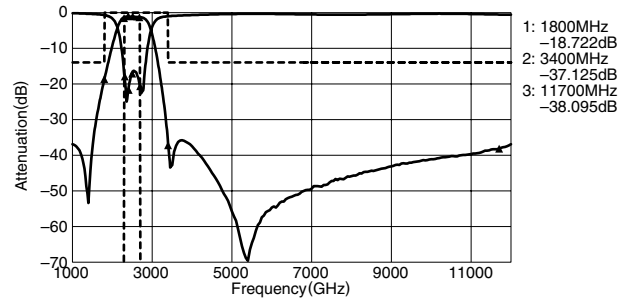
• All specifications are subject to change without notice.

FREQUENCY CHARACTERISTICS

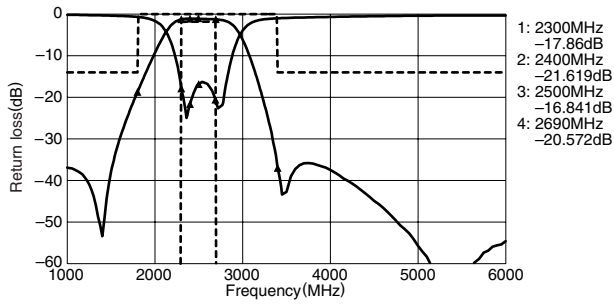
INSERTION LOSS



ATTENUATION



RETURN LOSS



• All specifications are subject to change without notice.